



LED LIGHTING FITTING

duo

Tango

External Surface:

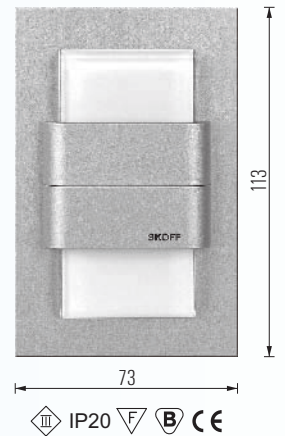
- K - STAINLESS STEEL
- G - ALUMINIUM

• voltage rating 10V=

Rated current (power):

- WHITE (W) - 1,6W
- RED (R) - 2,0W
- GREEN (G) - 1,2W
- BLUE (B) - 1,6W

Assembly
in a $\varnothing 60$ mm box



LED LIGHTING FITTING

duo

Rueda

External Surface:

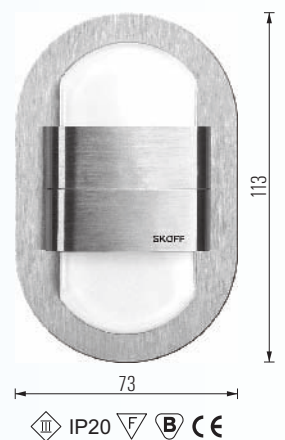
- K - STAINLESS STEEL
- G - ALUMINIUM

• voltage rating 10V=

Rated current (power):

- WHITE (W) - 1,6W
- RED (R) - 2,0W
- GREEN (G) - 1,2W
- BLUE (B) - 1,6W

Assembly
in a $\varnothing 60$ mm box



LED LIGHTING FITTING

KINKIET duo

Tango

External Surface:

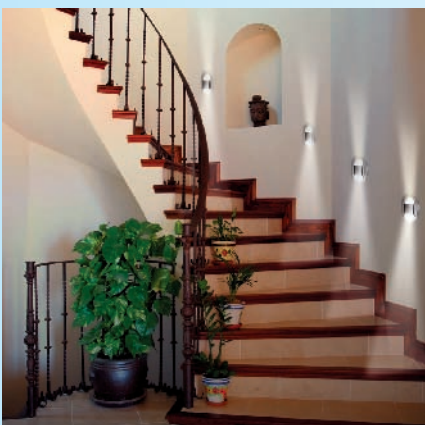
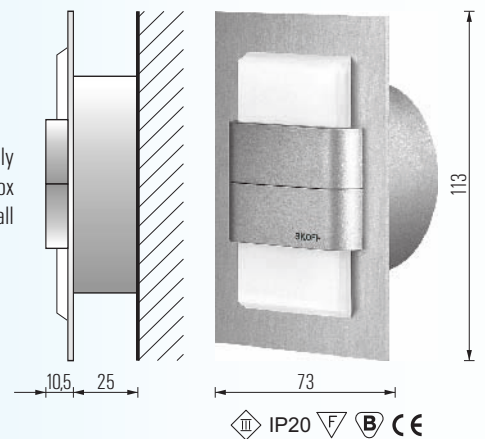
- G - ALUMINIUM

• voltage rating 10V=

Rated current (power):

- WHITE (W) - 1,6W
- RED (R) - 2,0W
- GREEN (G) - 1,2W
- BLUE (B) - 1,6W

Assembly
in a P70N box
on the wall



LED LIGHTING FITTING

KINKIET duo

Rueda

External Surface:

- G - ALUMINIUM

• voltage rating 10V=

Rated current (power):

- WHITE (W) - 1,6W
- RED (R) - 2,0W
- GREEN (G) - 1,2W
- BLUE (B) - 1,6W

Assembly
in a P70N box
on the wall

